

# TH21

## ROAD/RAIL CRANE



**DESIGNED AND BUILT TO  
REVOLUTIONISE 'LIFTING'  
ON THE RAIL NETWORK**



- 21 METRES HEIGHT
- LIFT & CARRY UP TO 6 TONS
- HYDROSTATIC 4-WHEEL DRIVE ON RAIL
- TOWING UP TO 48 TONS
- ADJACENT LINE OPEN (ALO)

# TH21

## ROAD/RAIL CRANE

**RAIL PRODUCTS UK** HAS EXCLUSIVELY DEVELOPED THE NEW **TH21 ROAD RAIL CRANE** FOR THE RAIL NETWORK. IT MEETS THE NEW RIS-1530-PLT ISSUE 6 SAFETY STANDARD AND IS EN APPROVED. THE **TH21** CAN LIFT AND CARRY UP TO 6 TONS REACHING A HEIGHT OF 21 METRES AS WELL AS TOWING UP TO 48 TONS. THE CRANE IS VERSATILE, NOT ONLY WITH ITS LIFTING CAPABILITY, BUT CAN ALSO MAKE LIGHT WORK OF UNDER-BRIDGE INSPECTIONS WITH ITS 3D SYSTEM.

### Specification

Travel speed: 17km/h

Maximum towing speed: 10km/h

Work speed: 5km/h

Height: 21m

Rail gauge: 1.0m-1.6m

Towing capacity: 48t, airbrakes

Lifting capacity: 6t, see loadchart

Gauge: W6A

Rail oscillating Axle: 50mm both sides

Max. slope accepted: 1.25°

Max. cant travel: 200°

Max. cant stationary work mode: 120°

Max. cant lift and travel mode: 120°, 5km/h

Max. wind speed: 6 Bf

Approved to RIS-1530-PLT Issue 6

EN approved



### Standard equipment

- Adjacent Line Open (ALO)
- Proportional controls
- Air tyres
- Differential lock
- Limited-slip front axle
- Low fuel indicator
- Horn
- Blue RCI status beacon
- RCI-EN13000 compliant
- Lifting eyes
- Electric emergency pump
- Tool trays
- Oscillating axle for road
- Oscillating axle for rail
- 360° continuous rotation

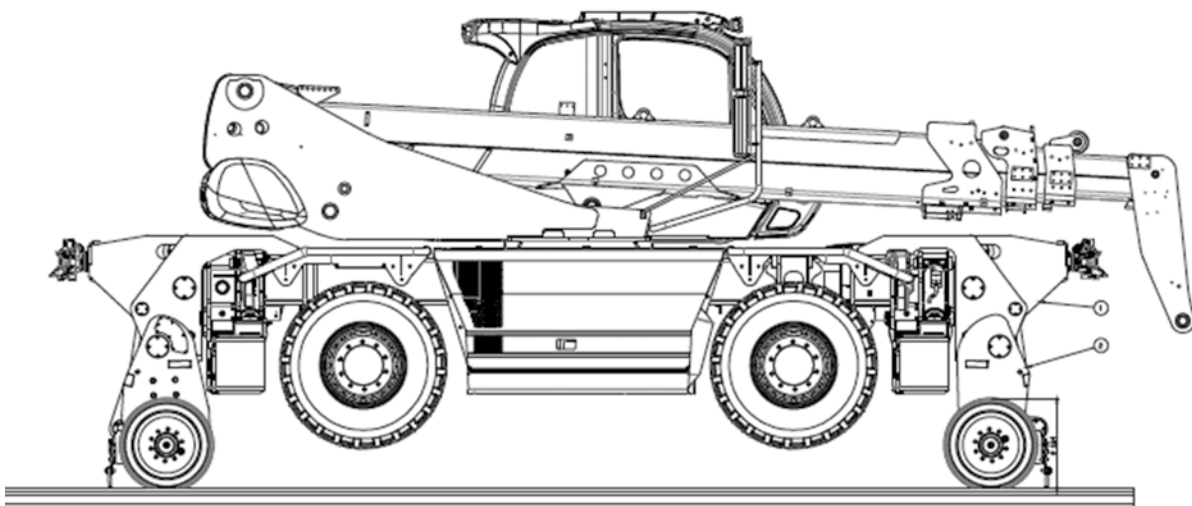
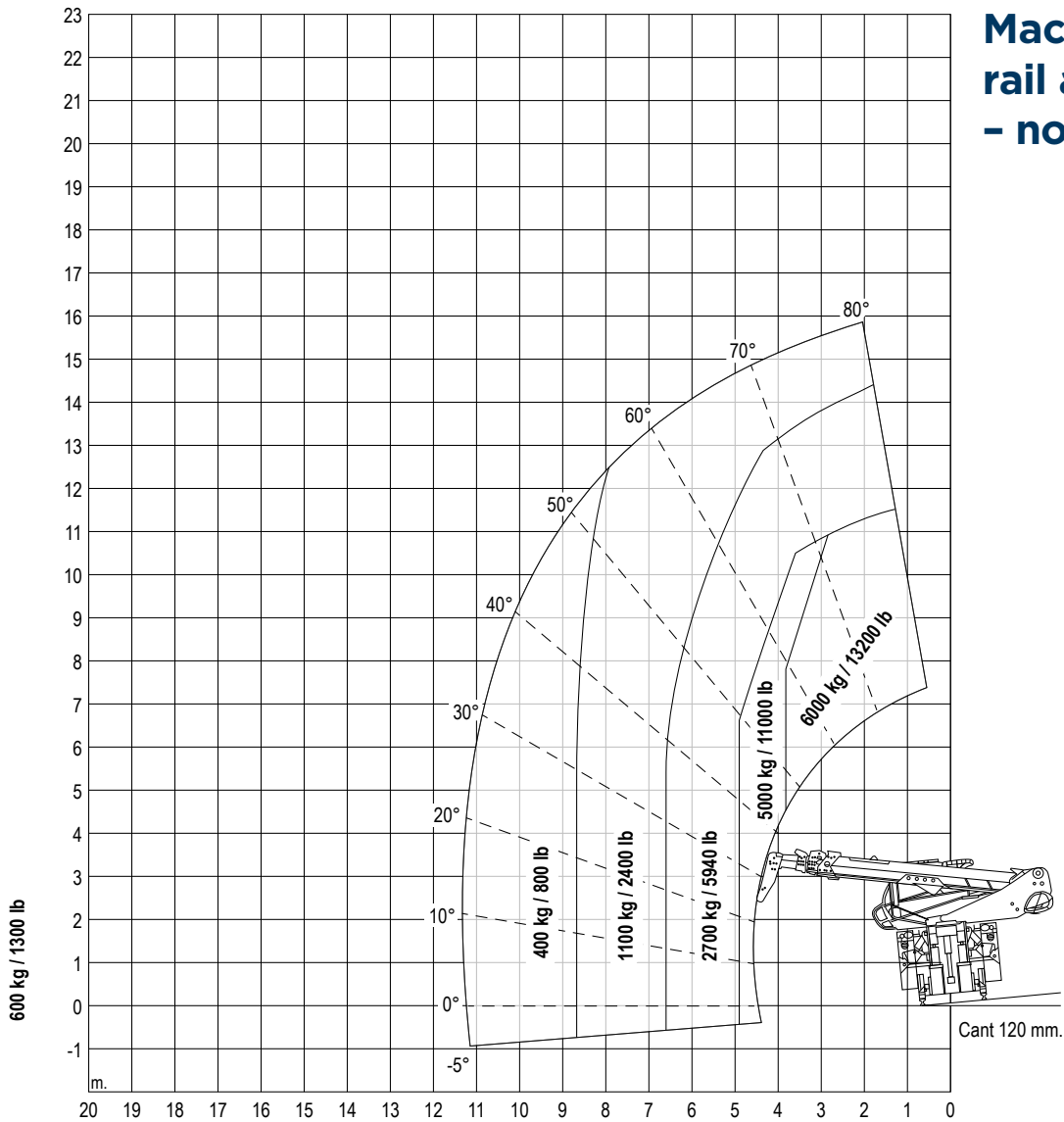




# TH21

## WORKING LOAD CHARTS

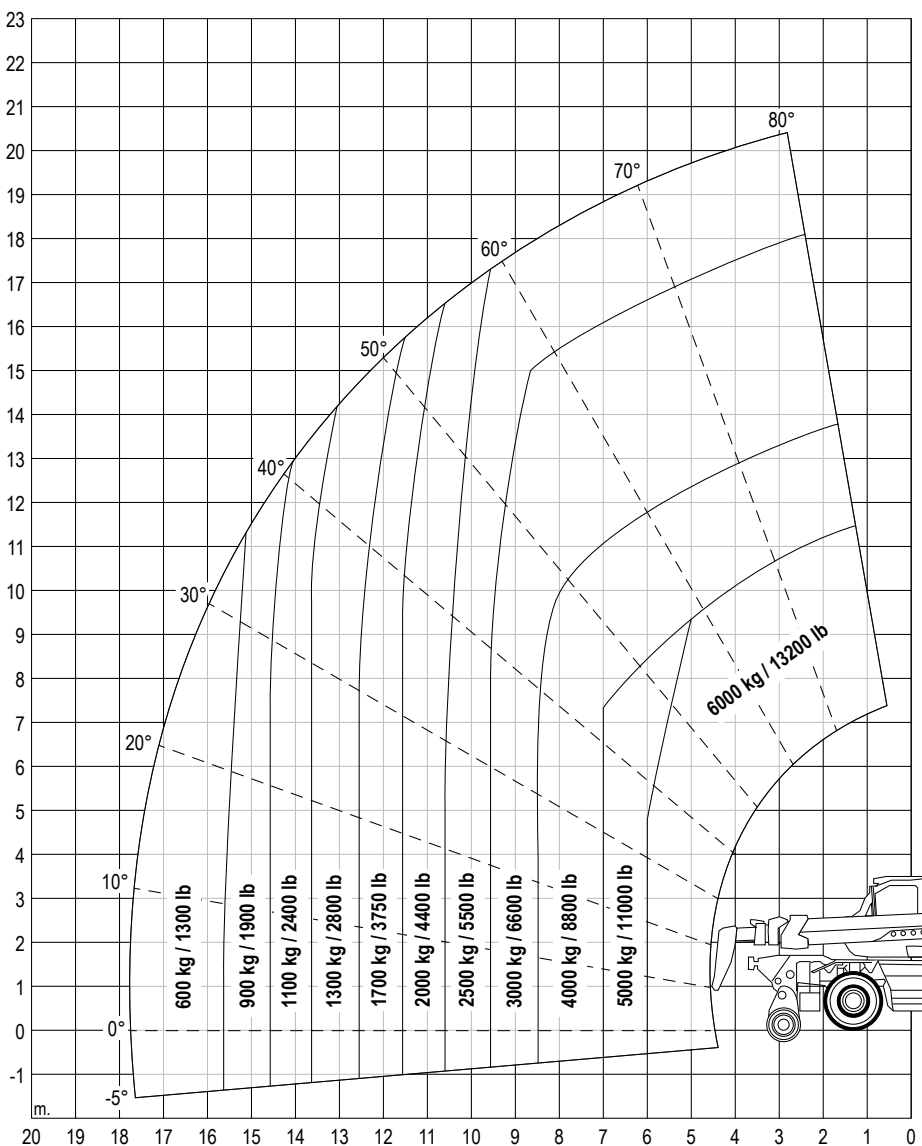
**Machine on  
rail at 90°  
- no stabilizers**



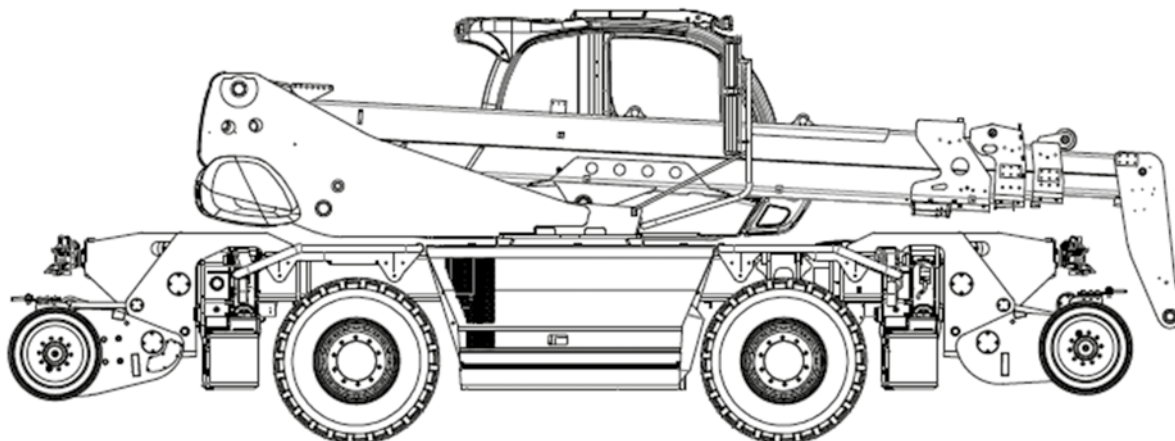
**ON RAIL**

# TH21

## WORKING LOAD CHARTS



Working range  
0-23°

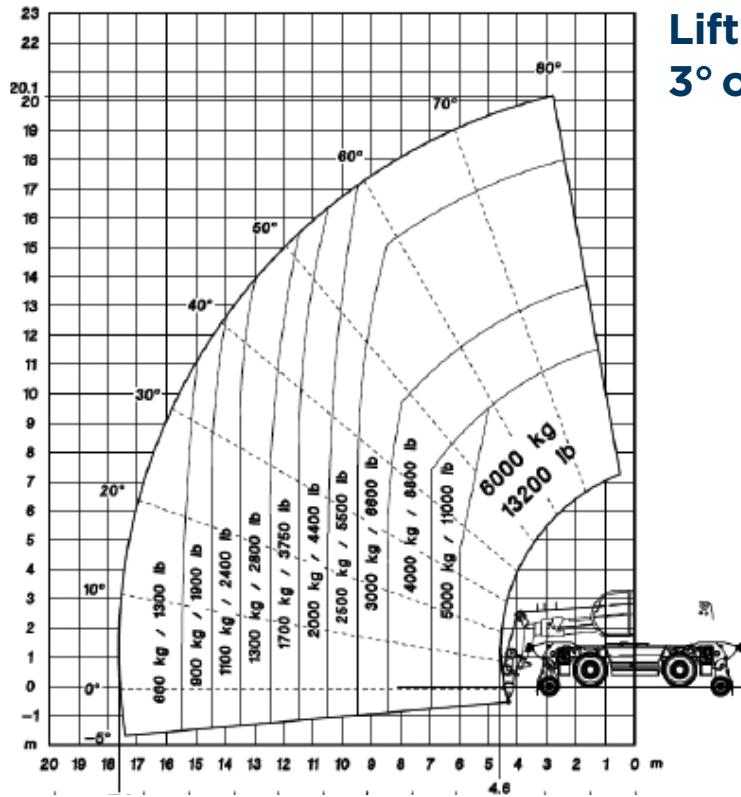


ON ROAD

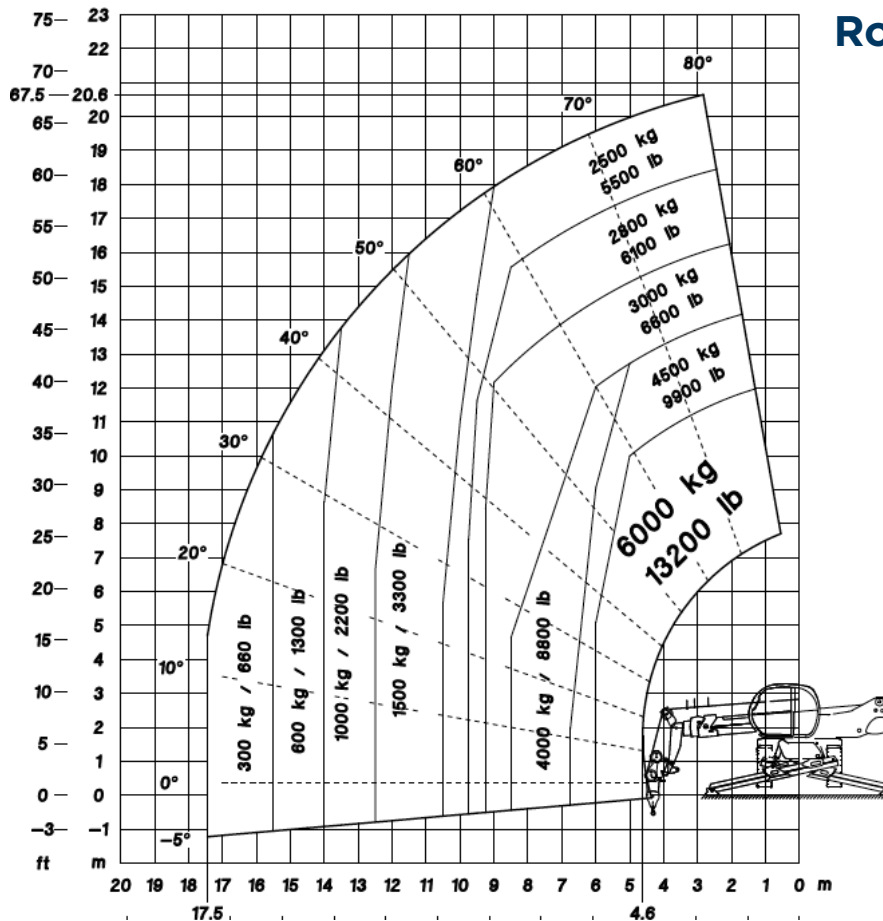




## WORKING LOAD CHARTS



**Lift and carry 3° off centre**



**Road duties**



# ADD GREATER VERSATILITY TO THE TH21 ROAD/RAIL CRANE WITH A WIDE RANGE OF QUICK HITCH ATTACHMENTS

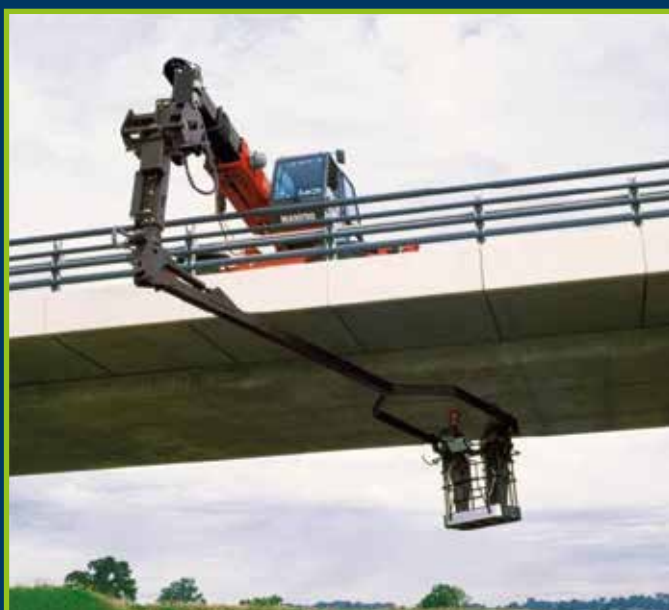
THE TH21 CRANE IS COMPATIBLE WITH OVER 20 DIFFERENT MANITOU QUICK HITCH ATTACHMENTS, FROM UNDER BRIDGE INSPECTION PLATFORM AND EXTENDABLE PLATFORMS TO FORKS AND BUCKETS, MAKING THIS MACHINE EVEN MORE VERSATILE FOR WORKING ON OR OFF THE RAILWAY.



**EXTENDABLE PLATFORM**



**EXTENDABLE PLATFORM WITH WINCH**



**UNDER BRIDGE INSPECTION PLATFORM**



**FORKS**

# TH21

## ROAD/RAIL CRANE



**DESIGNED AND BUILT TO  
REVOLUTIONISE 'LIFTING'  
ON THE RAIL NETWORK**



**Rail Products UK**

Mountcairn, 22 Cairnmount Road  
Carluke, South Lanarkshire ML8 4EN  
Phone: 0044 1555 773 027 Mobile: 0044 7788 924 848  
derek@railproducts.uk.com www.railproducts.uk.com

Rail Products trading as Rail Products UK Ltd.